

Toll Free
877-240-7 DME



SB2T

Owners Manual

INTENDED USAGE:

The Showerbuddy shower/commode chair is a medical device indicated for use by persons with limited mobility who are unable to stand, walk and/or seat independently. The device is specifically designed for individuals who require additional support and stability during washing, toileting and other hygienic activities. It is a class 1 medical device, which is intended to be used only as a seating option for toilet issues, showering and bathing. Its purpose is to help physically handicapped people during their hygienic activities. Any other use is prohibited.

INDICATIONS:

The device is specifically indicated for individuals who (because of the wide variety of possible health problems) are unable to stand and /or walk and so they need an assistance device to maintain some or all daily hygienic tasks.

CONTRADICTIONS:

This type of device must not be used by a disabled person alone. The user should always be accompanied by a caregiver or assistance person. The device is not recommended for persons with flaccid paralysis or other diseases that cause serious body control problems. Such persons require special wheelchairs designed for extra stability and support of the user's body. The need for this type of specialty wheelchair should be always estimated and indicated by a physician or a physical therapist.

WARNING – Included in this packaging and fitted to the Showerbuddy chair are small parts, plastic wrap and polystyrene packing that could be dangerous to children under 5.

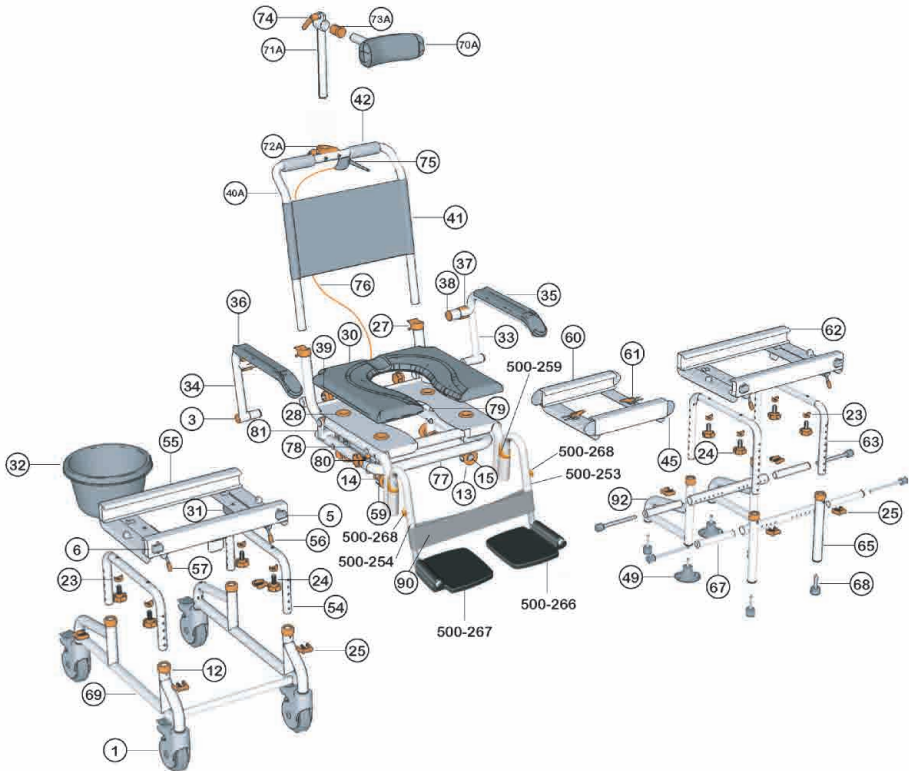
Keep children away from this device and do not let them play with any parts It must be kept away from children under 5 years old



Be careful! Fingers or other body parts of a user and/or assistant can be trapped between the device's parts during folding, unfolding or adjusting of the device. Be extremely careful when adjusting the device. Observe the dimensions of gaps between the device's parts to avoid trapping your fingers or other body parts.

Exploded Parts	3
Parts List	4
TubBuddy + Tilt Assembly	5
TubBuddy + Tilt Setup	13
TubBuddy + Tilt Operation	18
Strut Adjustment	27
Cleaning + Maintenance	30
Safety Instructions	31
Warranty Information	34
Registration Form	36

exploded parts



See the exploded chair image for the location of parts.

- | | | | |
|-----|--|---------|-------------------------------------|
| 1 | 5" Castor Wheel | 59 | Primary Brake Stopper |
| 3 | Tube Cap (25mm) | 60 | Bridge |
| 5 | Secondary Brake (Left) | 61 | Latch |
| 6 | Secondary Brake (Right) | 62 | Bath Base Track |
| 12 | Leg Tube Cap | 63 | Height Adjustment Tubes (Bath Base) |
| 13 | Track Wheel | 65 | Bath Base Leg (Front) |
| 14 | Tube Washer (32mm) | 67 | Stabilising Tubes |
| 15 | Track Wheel Axle (Front) | 68 | Rubber Feet |
| 23 | Tube Washer (25mm) | 69 | Rolling Base Legs |
| 24 | Fixing Knob | 70A | Neck Rest |
| 25 | Securing Clip (Large) | 71A | Neck Rest Height Adjustment Tube |
| 27 | Arm Rest Clip | 72A | Neck Rest Attachment |
| 28 | Cushion Connector | 73A | Neck Rest Sleeve |
| 30 | Cushion | 74 | Neck Rest Handle |
| 31 | Commode Bucket Connectors | 75 | Tilt Handle |
| 32 | Commode Bucket + Lid | 76 | Strut Cable |
| 33 | Arm Rest (Left) | 77 | Seat Base |
| 34 | Arm Rest (Right) | 78 | Strut (Left) |
| 35 | Arm Rest Padding (Left) | 79 | Strut (Right) |
| 36 | Arm Rest Padding (Right) | 80 | Rubber Stopper |
| 37 | Arm Rest Lock | 81 | Tilt Stopper |
| 38 | Arm Rest Cap | 500-268 | Footrest Adjust Knob |
| 39 | Arm Rest Knob | 500-268 | Footrest Adjust Knob |
| 40A | Back Rest Frame | 500-253 | LH Leg Assembly |
| 41 | Back Rest Fabric | 500-254 | RH Leg Assembly |
| 42 | Hand Grips | 500-266 | LH Foot Tray |
| 45 | Bridge Tongue (Short) | 500-267 | RH Foot Tray |
| 49 | Suction Cups | 500-259 | Leg Tube |
| 54 | Height Adjustment Tubes (Rolling Base) | 90 | Calf Strap |
| 55 | Rolling Base Track | 92 | Bath Base Leg (Rear) |
| 56 | Primary Brake Lever (Left) | | |
| 57 | Primary Brake Lever (Right) | | |

step 1

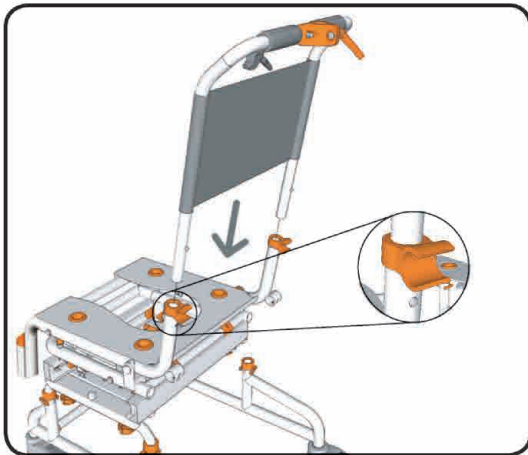
Insert the back rest into the seat base.

Slide the back rest into the seat base until the clip pins click into the holes on the seat base.

The clip pins secure the chair back frame in position.

NOTE

- To remove the seat back press the clip pins in and slide the seat back out of the seat base.



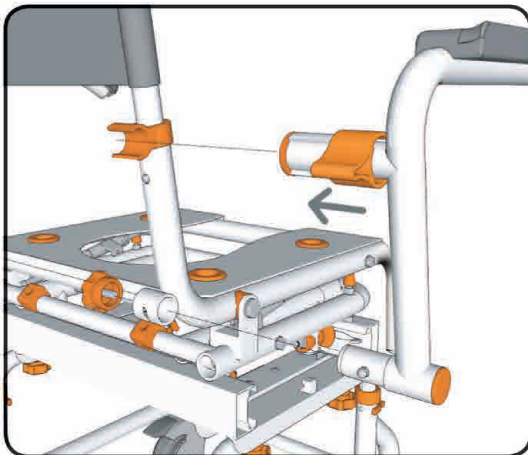
step 2

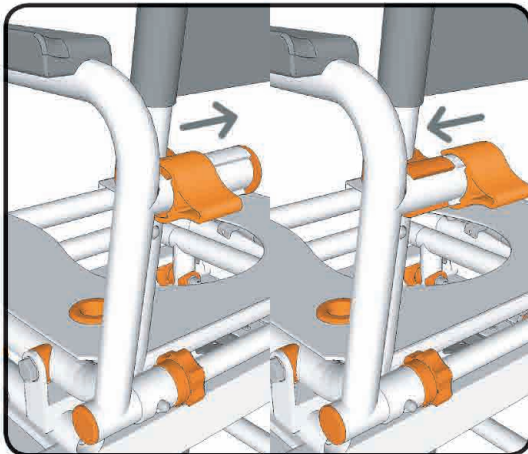
Insert the arm rests into the sockets on the seat base until the clip pin clicks and locates the arm rests in position.

Screw the arm rest knob into the arm rest to firmly secure the arm rest in position.

Swing the arm rest forward so that it locks into position in the arm rest clip.

Slide the arm rest lock over the arm rest clip to lock the arm rest in position.





step 3

By sliding the armrest lock you can easily swing the armrest out of the way or secure the armrest in position.

To unlock the armrest slide the armrest lock away from the armrest.

To lock the armrest slide the armrest lock towards the armrest.

NOTE

- The armrest locks should always be used when the armrests aren't in the swing away position.



step 4

The armrests can be easily swung-away when required.

Unlock the armrest by sliding the armrest lock away from the armrest. Once this is done the armrest can be swung away. The clip pin which secures the armrest in position stops the armrest from rotating to far.

NOTE - The armrest locks should always be used when the armrests aren't in the swing-away position.



Be careful! Fingers or other body parts of a user and/or assistant can be trapped between the device's parts during folding, unfolding or adjusting of the device. Be extremely careful when adjusting the device. Observe the dimensions of gaps between the device's parts to avoid trapping your fingers or other body parts.

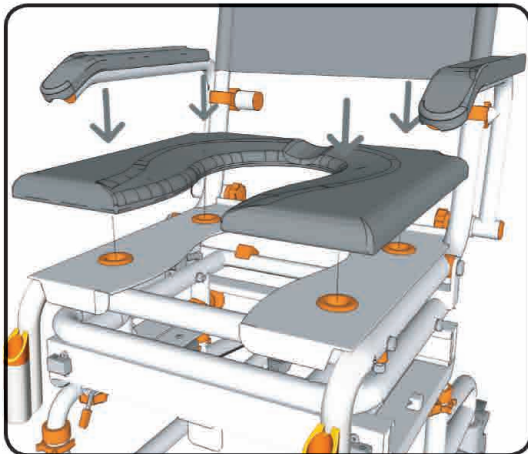
step 5

Ensuring the correct orientation attach the seat cushion to the seat base by pushing the 4 locating lugs on the underside of the cushion into the connectors on the seat base.

Firmly press the cushion into position so that the 4 locating lugs are securely located in the connectors.

NOTE

- To remove the cushion, carefully remove one lug at a time from the connectors until all 4 locating lugs are removed.



step 6

Slide the neck rest height adjustment tube into the neck rest attachment. Adjust to the required height and secure in the correct position.

By screwing the neck rest handle in a clockwise direction the neck rest attachment will tighten and secure the neck rest height adjustment tube in position.



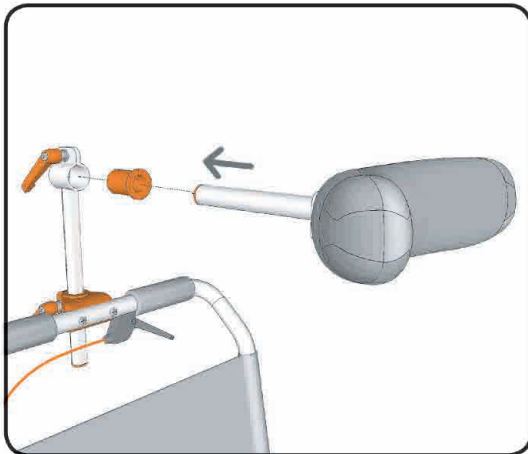
step 7

To attach the neck rest, insert the plastic sleeve into the neck rest height adjustment tube.

Insert the neck rest into the sleeve on the neck rest height adjustment tube. Adjust to the required length and secure in the correct position. By screwing the neck rest handle in a clockwise direction the neck rest height adjustment tube connector will tighten and secure the neck rest in position.

NOTE

- The neck rest should always be used and adjusted to suit the specific user.



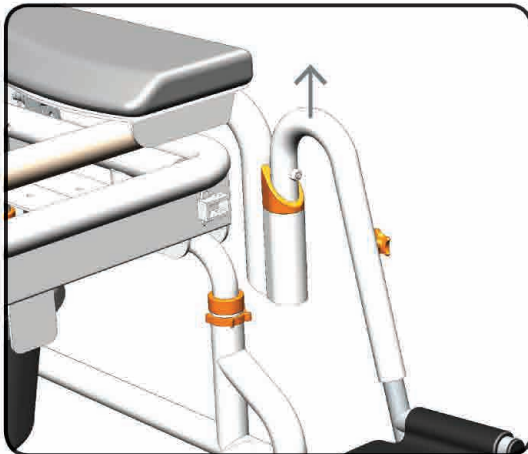
step 8

Insert the footrests as shown by simply dropping each leg into the tube holder.

Make sure each leg is fully located in the slot at the rear to prevent the leg from rotating. To rotate the leg simply lift and rotate out of the way.



step 9

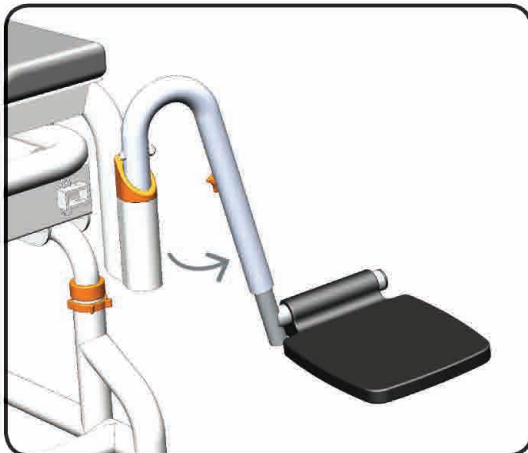


To swing the footrest out of the way simply lift the leg out of the slot and spin the leg away.

WARNING

DO NOT STAND ON FOOTRESTS
Chair will be unstable and tip forward if body-weight is applied to footrests

step 10



After unlocking the footrests rotate the footrests outwards to allow easy access to the chair.

When required rotate the footrests inwards to reposition the footrests.

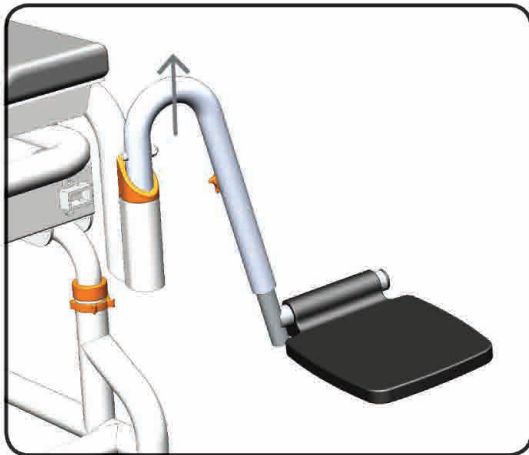
step 11

With the footrest in the swing-away position the footrest can easily be removed.

Lift the footrest upwards to slide the footrest out of the footrest connector.

NOTE

- The footrests should always be used for safety, especially when the chair is being reclined.

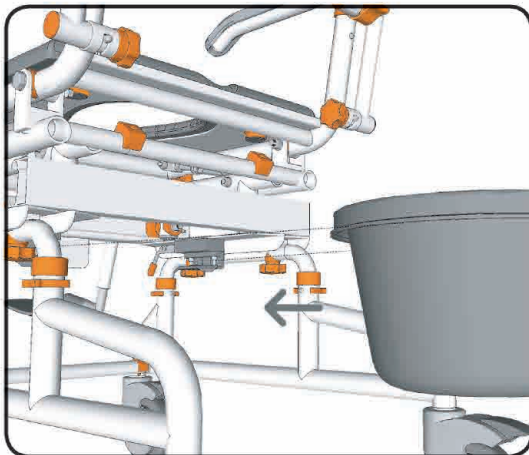


step 12

Rotate the chair so that you have easy access to the underside of the seat base.

From the back of the slide the commode bucket into the 2 brackets on the underside of the seat base.

Ensure the commode bucket is pushed in far enough that the brackets securely hold the commode bucket in position. The commode bucket should be centred under the opening in the cushion.



step 13

Insert both height adjustment tubes into the bath base legs. Ensure the holes on the height adjustment tubes align with the holes on the bath base legs.

Secure both height adjustment tubes at the required height using 1 large securing clip on each base leg.

NOTE

- Each height adjustment hole raises the seat base 1".
- Check to ensure all securing clips are fully inserted.
- Ensure both height adjustment tubes are aligned at the same height.

step 14

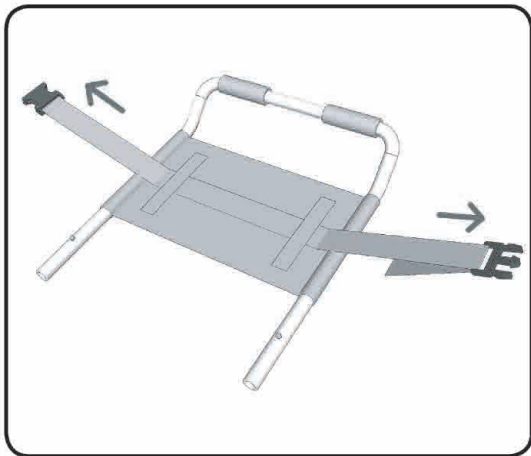
On the underside of the seat base there are 4 attachment points for the lap belt.

Unscrew the provided screws and washers from the front attachment points on the underside of the seat base.

Choose the attachment points you prefer for your lap belt.

Slide the washer onto the screw and then insert through the grommet in the lap belt. Screw the lap belt securely into position.

step 15



To attach the chest belt rotate the chair so that you have easy access to the back of the back rest.

Slide the chest belt through the 2 attachment loops on the back rest.

Before use adjust the length of the chest belt to suit the user.

step 1

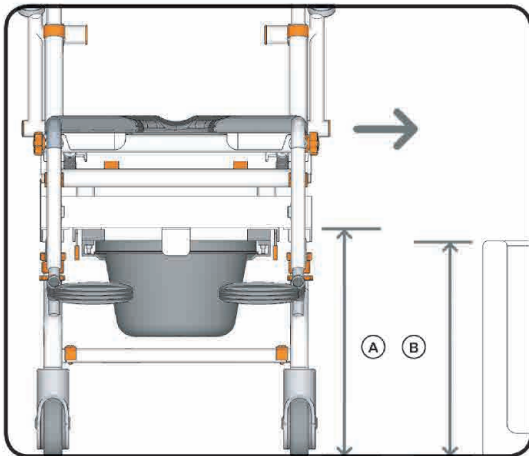
Align the side of your chair with the threshold of your bath.

Check to ensure that the height of the bottom of the wheeled track (A) is higher than the bath threshold (B).

If required the height of the wheeled track can be raised or lowered depending on the bath threshold height.

NOTE

- Each height adjustment hole raises the wheeled track 1".



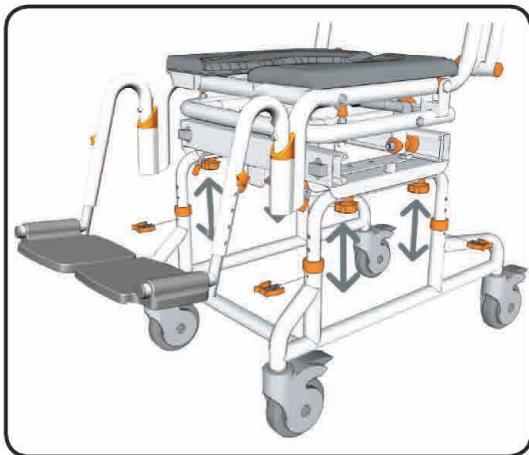
step 2

To adjust the seat height remove the securing clips and slide the height adjustment tubes up or down to the required height.

Secure both height adjustment tubes at the required height using 1 large securing clip on each base leg.

NOTE

- Each height adjustment hole raises the seat base 1".
- Check to ensure all securing clips are fully inserted.
- Ensure both height adjustment tubes are aligned at the same height.

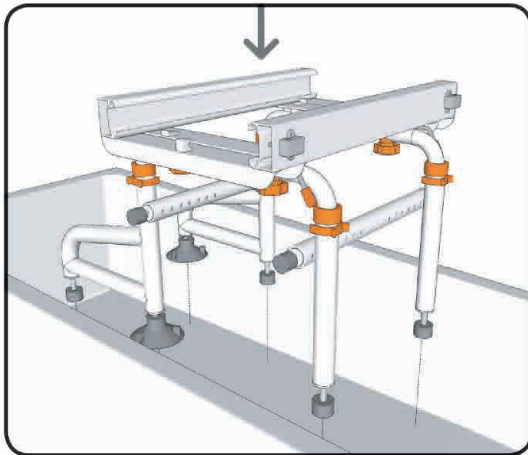


step 3

Place the assembled bath base into your bath.

NOTE

- When positioning the bath base ensure it is located so there is enough room to allow the chair to transfer freely without hitting any other obstructions.



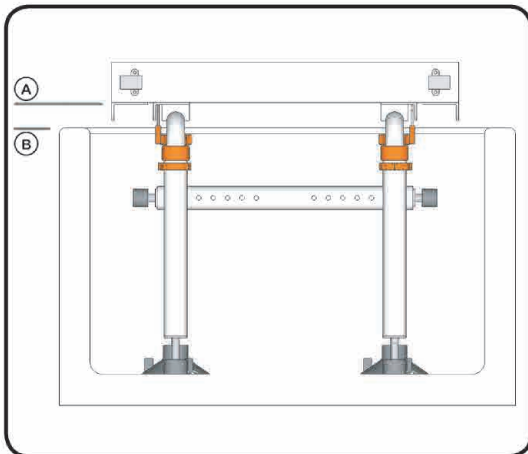
step 4

Check to ensure that the height of the bottom of the bath base track (A) is higher than the bath threshold (B).

If required the height of the bath base track can be raised or lowered depending on the bath threshold height.

NOTE

- Each height adjustment hole raises the bath base track 1".

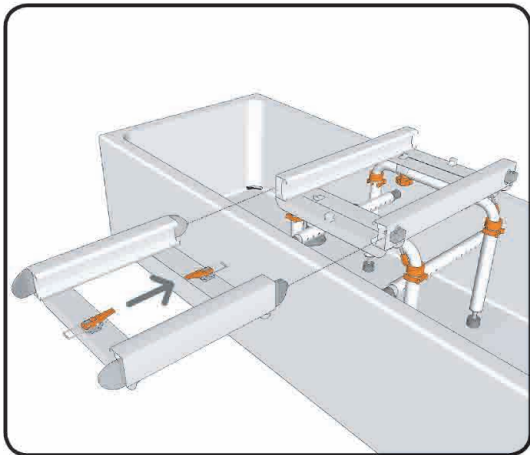


step 5

Align the bridge with the bath base and insert the tongues into the bath base.

Firmly push the tongues on the bridge into the bath base so the secondary brakes are pushed out of the way.

Secure the bridge to the bath base using the latch in the centre of the bridge track.

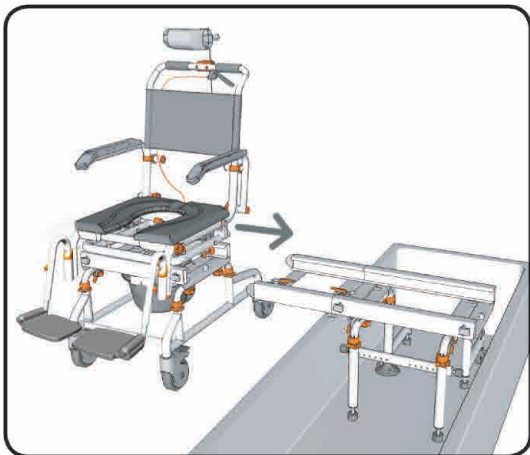


step 6

Align the side of your chair with the bridge which is connected to the bath base.

Firmly push the wheeled base onto the tongues on the bridge so the secondary brakes are pushed out of the way.

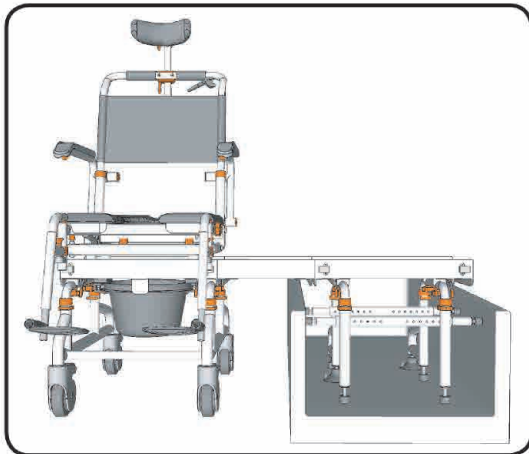
Secure the bridge to the wheeled base using the latch in the centre of the bridge track.



step 7

The wheeled base, bridge and bath base should now be securely connected together using the latches.

Before continuing with the setup it is important to ensure that the tracks are level horizontally.



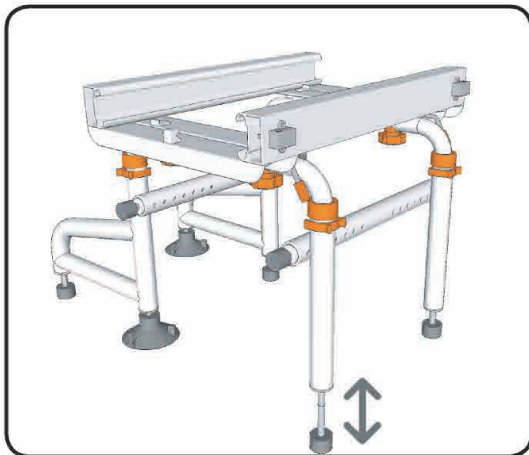
step 8

If the tracks are not level horizontally, adjust the height of the bath base until the tracks are level.

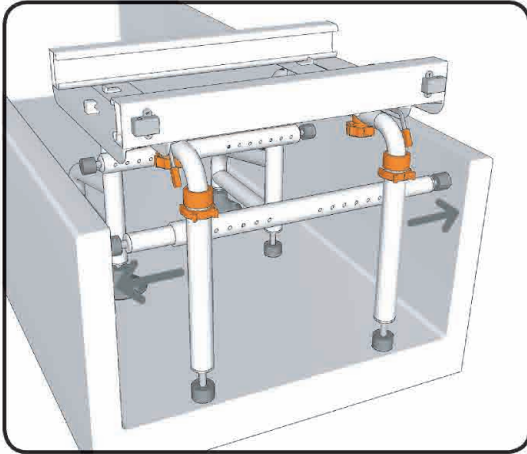
To do this screw the thread on the rubber feet up or down depending on which way the height needs to be adjusted.

NOTE

- Do not unscrew the thread more than 1".
If you require more height, raise the bath base track by adjusting the height adjustment tubes up or down.



step 9



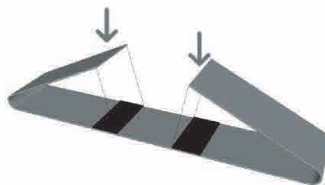
With the bath base in the bath and correctly adjusted, secure it in position by adjusting the stabilising tubes.

Press the clip pin in on the stabilising tube and slide outwards to the correct position. For smaller adjustments unscrew the rubber stopper to firmly secure the bath base in position.

step 1

To attach the calf strap to the footrests wrap the end of the calf strap around the outside of the footrest. Connect the velcro strip which is attached to the end of the calf strap to the velcro strip in the centre. Ensure the velcro strips are on the back side of the calf strap.

Repeat this process to attach the other side of the calf strap to the footrest.



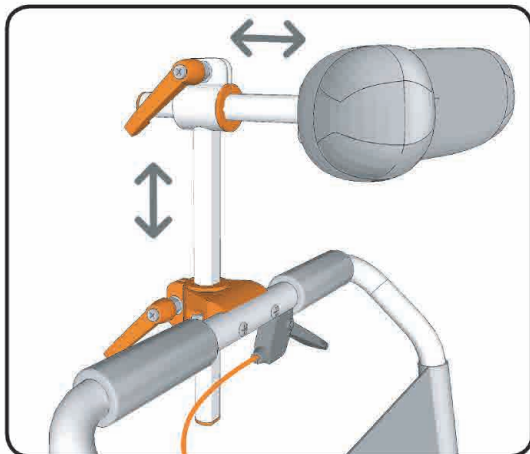
step 2

Before using the chair adjust the neck rest so that it provides the correct support for the intended user. Unscrew the neck rest handles to allow the tubes to easily slide for adjustment.

Secure the neck rest in the correct position by securely tightening the neck rest handles.

NOTE

- Ensure both handles are securely tightened prior to use to prevent the neck rest moving.

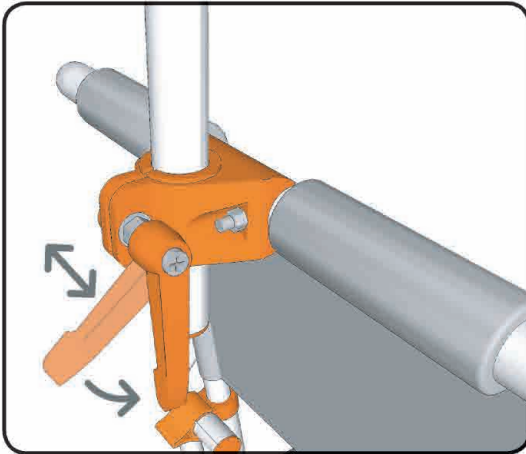


step 3

After adjusting the neck rest you can adjust the position of the neck rest handle to prevent it sticking out.

To do this pull the handle to the right and then rotate. This allows the handle to be freely rotated without tightening or loosening the neck rest. The handle will then spring back into position when released.

This method can also be used when tightening the neck rest .



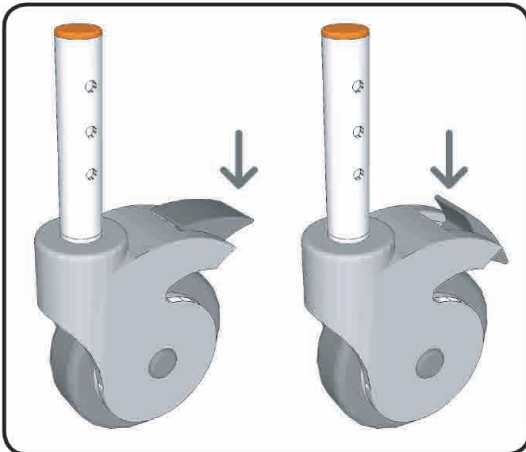
step 4

To lock the castor wheels press down firmly on the end of brake with your foot. This will lock the castor so that it will not move or rotate.

To unlock the castor wheels press down firmly on the front of the brake with your foot. This will allow the castor to move freely again.

NOTE

- The castor wheels should always be locked when performing transfers . The castor wheels can be rotated forward to make the chair more stable.



step 5

To recline the chair squeeze the tilt handle on the back rest handle.

When you squeeze the handle both the locking struts are unlocked and the chair can be reclined. When the handle is released, the locking struts will secure the chair in that position.



Be careful! Fingers or other body parts of a user and/or assistant can be trapped between the device's parts during folding, unfolding or adjusting of the device. Be extremely careful when adjusting the device. Observe the dimensions of gaps between the device's parts to avoid trapping your fingers or other body parts.

step 6

While squeezing the brake handle the chair can be reclined 30° from upright.

While reclining the chair you can release the tilt handle and the locking struts will secure the chair in that position. As the chair is reclined you will need to support a small amount of the users weight.

NOTE

- Before reclining the chair is it important to be confident with the motion and how the chair operates.
- The chair has safety stoppers which prevent the chair reclining further than 30°.

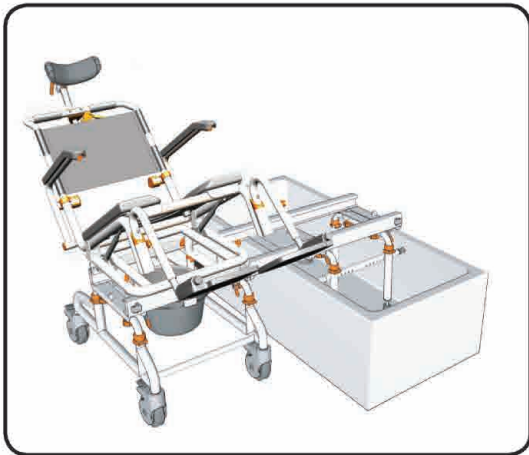
step 7

Securely attach the bridge to the bath base using the latches. Next securely attach the bridge to the wheeled base using the latches.

NOTE

- Ensure all latches securely 'snap' into the locked position. Ensure you lock all castor wheels before beginning the transfer.

WARNING: Always disconnect the bridge from the base that the chair is located on (bath base or wheeled base). If you leave the bridge attached it prevents the secondary brake from operating correctly.

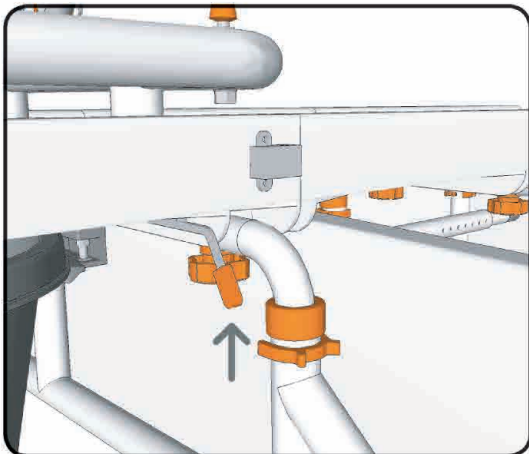


step 8

With your Showerbuddy SB2T assembled you are now ready to transfer the chair into the bath.

Lift and hold the primary brake lever to release the chair. The primary brakes are located on each side of the wheeled and bath base tracks at the front.

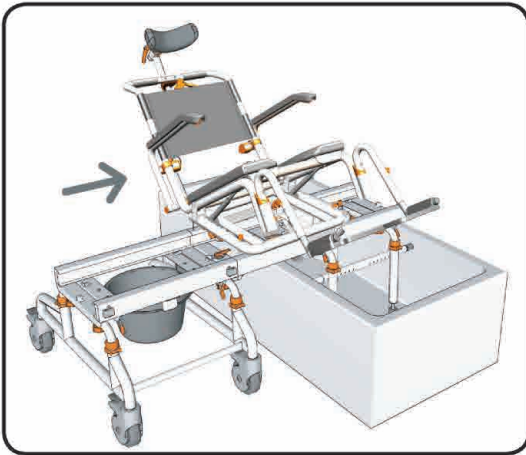
Once the chair has begun transferring you can release the primary brake. The primary brake will drop back into the correct position.



step 9

Transfer your Showerbuddy SB2T from the wheeled base onto the bath base.

Ensure the chair is transferred all the way onto the bath base and primary brake clicks to secure the chair in position.



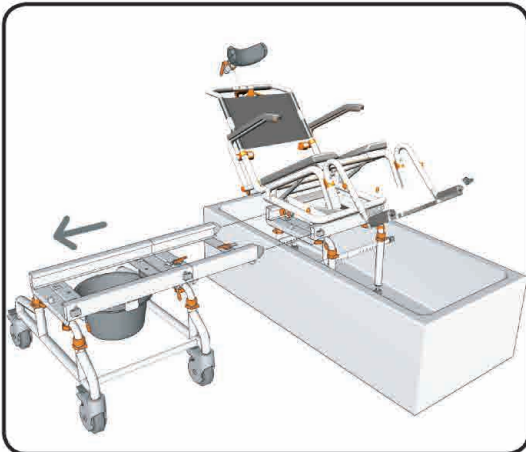
step 10

With your Showerbuddy SB2T secured in position on the bath base remove the bridge and wheeled base.

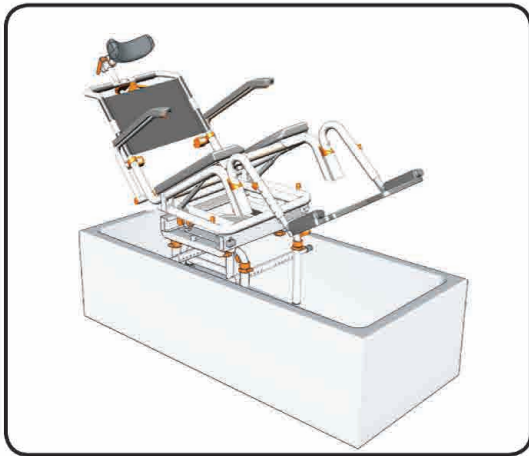
Release the latch which connects the bridge to the bath base and roll the wheeled base and bridge away. If space is limited release the latches on the bridge to remove the bridge from the wheeled base.

NOTE

- Never attach the bridge to the bath base without the wheeled base being attached.



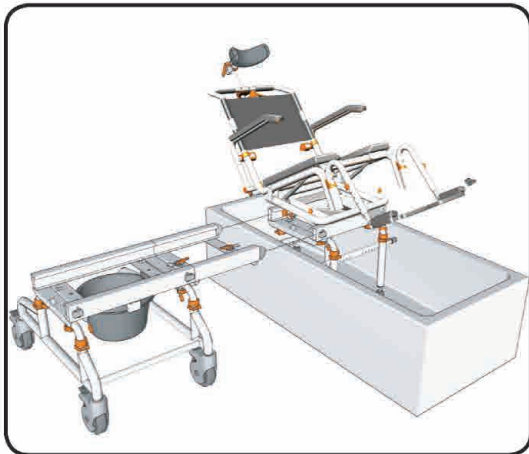
step 11



With your Showerbuddy SB2T secured in position on the bath base with the bridge and wheeled base removed you have easy access to the user and chair.

If required you can adjust how far your Showerbuddy SB2T is reclined by squeezing the tilt handle.

step 12



Reconnect the wheeled base to the bridge and secure in position with the latches.

Reconnect the bridge to the bath base and secure in position with the latches.

NOTE

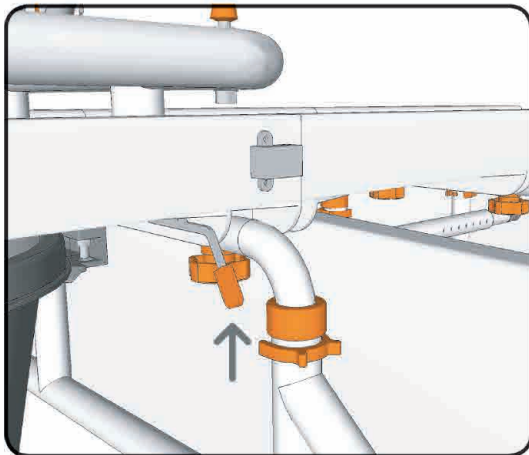
- Ensure all latches securely 'snap' into the locked position.
- Ensure you lock all castor wheels before beginning the transfer.
- Never attach the bridge to the bath base without the wheeled base attached.

step 13

With the bridge and wheeled base re-connected you can transfer the your Showerbuddy SB2T back onto the wheeled base.

Lift and hold the primary brake lever to release the chair. The primary brakes are located on each side of the wheeled and bath base tracks at the front.

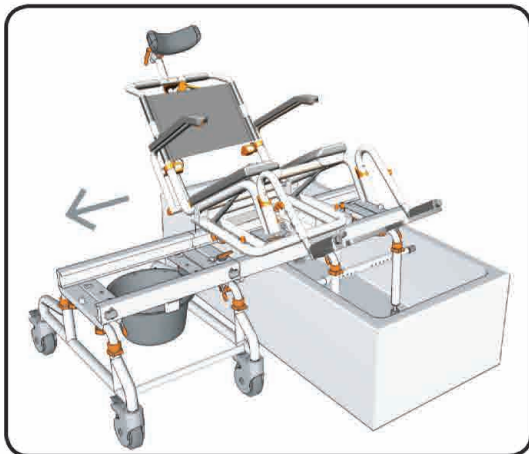
Once the chair has begun transferring you can release the primary brake. The primary brake will drop back into the correct position.



step 14

Transfer your Showerbuddy SB2T from the bath base onto the wheeled base.

Ensure the chair is transferred all the way onto the wheeled base and primary brake clicks to secure the chair in position.



step 15

To return the chair to an upright position squeeze the tilt handle on the left hand side of the back rest.

When you squeeze the handle both the locking struts are unlocked and the chair can be repositioned. When the handle is released, the locking struts will secure the chair in position.

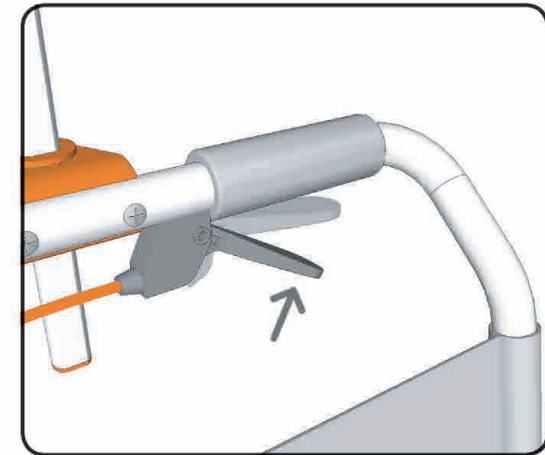


Be careful! Fingers or other body parts of a user and/or assistant can be trapped between the device's parts during folding, unfolding or adjusting of the device. Be extremely careful when adjusting the device. Observe the dimensions of gaps between the device's parts to avoid trapping your fingers or other body parts.

step 16

While squeezing the brake handle the chair can be returned to the upright position.

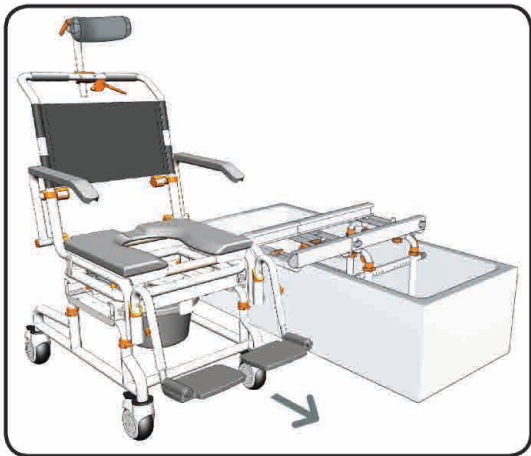
After returning the chair to the up-right position release the tilt handle and the locking struts will secure the chair in position. While returning the chair to the up-right position, you will initially need to support a small amount of the users weight.



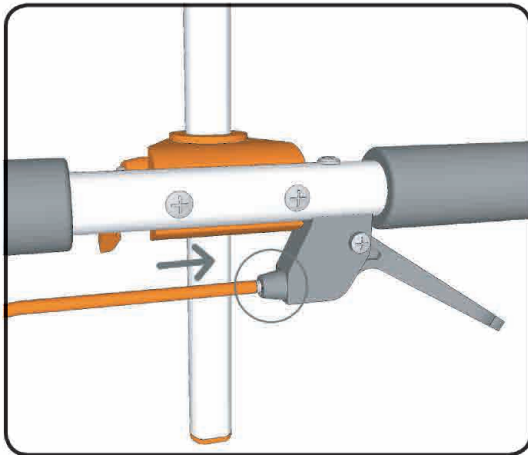
step 17

Ensure the primary brake securely locks your Showerbuddy SB2T in position on the wheeled base before disconnecting the bridge.

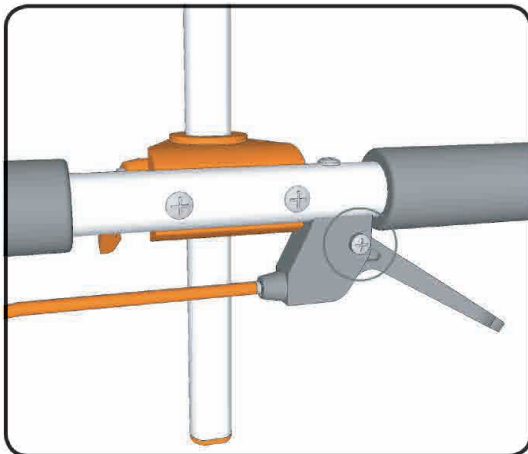
Unlock the brakes on the castor wheels. Release the latches which connect the bridge to the wheeled base and roll the wheeled base away.



strut adjustment

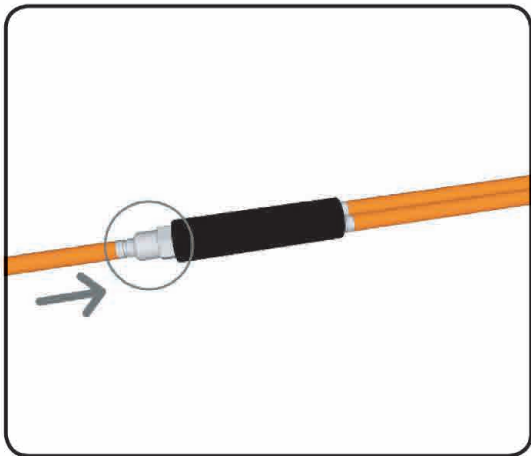


Check to ensure that the stainless steel cap on the end of the orange cable is inserted all the way into the tilt handle as shown. During packaging/shipping and owner setup this part can sometimes come out.



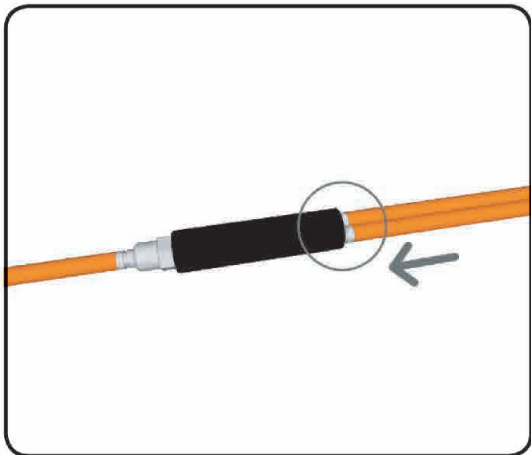
Check to ensure that when the handle is squeezed in then released that the handle springs back into the position shown.

If the handle doesn't return to position freely, use a screw driver to slightly loosen the screw on the tilt handle. This will allow the handle to move freely and will also make the handle easier to squeeze.

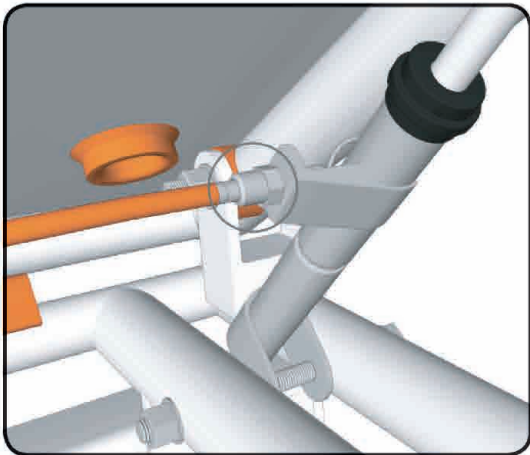


Check to ensure that the cable adjuster is screwed all the way in as shown.

Also check to ensure that the stainless steel cap on the end of the orange cable is inserted all the way into the cable adjuster as shown. During packaging/shipping and owner setup this part can sometimes come out.



Check to ensure that the stainless steel caps on the ends of both of the orange cables are inserted all the way into the cable adjuster as shown. During packaging/shipping and owner setup these parts can sometimes come out.



Check to ensure that the cable adjuster is screwed all the way in as shown.

Also check to ensure that the stainless steel cap on the end of the orange cable is inserted all the way into the cable adjuster as shown. During packaging/shipping and owner setup this part can sometimes come out.

Check that there is one nut on the outside of the strut bracket and one nut on the inside as shown.

If you are still experiencing problems with the chair reclining screw the cable adjuster out slightly to fix this.

NOTE

- Be careful not to unscrew the cable adjuster to far as this will prevent the struts locking in position when the chair is reclined.

WARNING

Do not place hands or fingers around the outer edge of the seat cushion when tilting or returning from tilt positions as fingers may get jammed between the seat frame and the rubber stop resulting in serious personal injury. Keep arms and hands on the armrests at all times.

cleaning + maintenance

It is recommended that your shower chair is serviced annually by your Showerbuddy Dealer or an authorised, competent service agent, in addition:

1. Regularly inspect all parts of the chair for defects. Any defective part should be removed promptly.
2. Clean the seat using a damp cloth and a mild cleanser. Always read the manufacturers instructions prior to applying the cleanser.

When using Sodium Hypochlorite (Bleach) on the seat, a solution of 0.1% Sodium Hypochlorite should have no adverse effects on the cleaning of chairs. However, when using a solution of 1.0%, care should be taken to rinse the chairs thoroughly with clean water after application. Over a period of time bleaching may occur, but the integrity of the product will remain unaffected.

3. Dry off the shower chair after use.
4. Do not oil or grease any parts.
5. Keep the castors free from lime scale, soap residue and hair by cleaning after use in the shower.

Caring for stainless steel.

Stainless steel has excellent corrosion resistance, but it is not stain or rust proof. Regular maintenance will keep stainless steel clean and free of contaminants. In most applications stainless steel will not rust or stain even after many years of service, but when used in certain environments such as concentrated chlorine or other corrosive elements stainless steel requires proper care and maintenance. Do not leave stainless in contact with iron, steel or other metals.

1. Clean stainless steel frequently with soap and water. Any cleaner safe for glass is usually safe for stainless steel; apply with a cotton cloth.
2. Use a coating such as a good wax to help safeguard the stainless steel.
3. Remove discolouration or rust spots as soon as possible with a brass, silver or chrome cleaner. Irreversible pitting will develop under rust that remains on stainless steel for any period of time. Apply a mild cleaner such as Ajax or an equivalent with a wet cotton cloth in the direction of the grain of the finish. Rinse thoroughly and wipe dry. Do not use abrasives such as sandpaper or steel wool on stainless steel.
4. Do not clean with mineral acids or bleaches.
5. Do not store near any chlorine product.

safety instructions

Safety Warning!

Failure to comply with these safety instructions may result in injury or damage!

It is important that the user(s), and/or the caregivers of the user(s), learn how to safely operate the Showerbuddy shower chair.

The following must be read before use of the Showerbuddy shower chair to ensure the safe operation of your Showerbuddy shower chair:

The Owner(s) Manual must be read and understood before using the Showerbuddy shower chair. If you don't understand any parts of the Owner(s) Manual, clarification should be sought prior to using the product.

For further clarification of any part of the Showerbuddy Owner(s) Manual call your local dealer or visit the website below.

www.showerchairs.co
www.myshowerbuddy.com

Transfers to and from the Showerbuddy shower chair can be dangerous. Consult a physical or occupational therapist to ensure safe and reliable transfer techniques are practiced. Individuals who have not learned these skills must have assistance during transfers.

Do not use the Showerbuddy shower chair for any application outside of the manufacturers intended use, this can result in damage to the shower chair and components. Not complying with the manufacturer's instructions can result in injury to the user(s) or caregiver. Showerbuddy will not be held responsible for any injury or damage resulting from the misuse or inappropriate operation of the Showerbuddy shower chair.

If any part of the Showerbuddy shower chair requires maintenance please don't hesitate to contact your dealer. Any problems that could affect the safe operation of the chair **MUST** be attended to immediately.

Safety instructions:

The **MAXIMUM USER** weight for this Showerbuddy shower chair is: 350lbs (160kg)

ALWAYS ensure that your Showerbuddy shower chair is capable of maneuvering over the surfaces that will be encountered, prior to operating the shower chair with any user(s). This chair is only intended for use indoors, on flat surfaces, without thresholds, steps, curbs or obstacles.

ALWAYS lock the Showerbuddy shower chair 5” castor wheels when the chair is stationary. To do this step-on the levers which activates the wheel locks.

DO NOT STAND or step on the footrest, as the chair will tip forward possibly causing injury to the User. The footrests are not load bearing and are not intended or designed as a step.

DO NOT lean forward or sideways out of the Showerbuddy shower chair as this may cause the chair to tip.

DO NOT wheel the Showerbuddy shower chair down an incline without a caregiver who can control the chair during its descent.

DO NOT use the Showerbuddy shower chair castor wheel locks as brakes when travelling down inclines.

DO NOT position the Showerbuddy shower chair sideways on a slope as this could cause it to tip.

Important!

Although every effort has been made by the Showerbuddy team to ensure the stability of the Showerbuddy shower chairs during use, it is important to recognize that the most dangerous part of using any shower chair is the transfer. If you are unsure of how to perform transfers in a way that can be repeatedly performed safely, then contact a physical or occupational therapist who is familiar with transfer techniques and options.

The wheel locks on the castors are designed to prevent the castor wheels from rotating when the shower chair is stationary in use. These **DO NOT** and **CANNOT** prevent the wheels from sliding if the floor is slippery. A slippery floor can be caused by dust, water, soap or any substance that doesn't allow the tires (tyres) to grip. Transfers should never be attempted with the Showerbuddy shower chair positioned on slippery surfaces since the wheel locks can only prevent the wheels from rotating. It is recommended that transfers be performed on clean, dry non slippery surfaces.

Transferring onto a Showerbuddy Shower Chair – always lock all castors in their outward position (front castors positioned in the forward and out position / rear castors positioned to the rearward and out position) for maximum chair stability.

Never use the foot rests to assist with transfers. This could cause the chair to tip forward. The footrests should be swung away or removed entirely during transfers to provide unobstructed access to the shower chair. **DO NOT** stand on the footrests as these are not weight bearing, standing on the footrests could cause the chair to tip forward.

The fasteners – the nuts, bolts, washers – should be checked periodically to ensure that they are securely fastened. All nuts used on your Showerbuddy shower chair are lock nuts. Lock nuts that are removed for any reason should be replaced rather than re-used. Your dealer should be called to check the fasteners and other components at least once per year.

All Showerbuddy shower chairs are supplied with chest and lap restraining straps which ensure the correct and safe operation of the shower chair for both the user(s) and the caregiver. It is important that these straps are used every time the shower chair is operated. Your Showerbuddy shower chair is equipped with fitting points so that these can be easily and effortlessly attached.

Important!

ADJUSTMENTS SHOULD NEVER BE ATTEMPTED WITH THE USER(S) IN THE CHAIR!

Your authorized Showerbuddy dealer can help you with any adjustments you may want to make on your Showerbuddy shower chair or can provide clarification on any of the information contained herein.

All castor wheel shafts must be adjusted to the same height. Never attempt to change the frame angle by changing the castor position. If the castor wheels are uneven this will cause the chair's stability to be compromised and may result in tipping.

Heavy Object

To avoid muscle strain or back injury, use lift aids and proper lifting techniques when lifting or moving this product.



How to lift the chair

Lift the wheelchair up using the push handles and the front upper corners of the wheelchair frame, where the footrests are placed.

WARNING! It is not allowed to lift the wheelchair up by gripping the footrests or armrests! We recommend to detach footrests before lifting the chair

2 Year Limited Warranty

Showerbuddy warrants our Showerbuddy Transfer Systems and all Showerbuddy products for **two years** from the date of purchase by the consumer. The warranty will only become active once the consumer submits the warranty registration card to the company with a copy of the purchase receipt. This warranty covers any defects in materials and workmanship on all Showerbuddy products except those listed in the Warranty Exclusion below:

Warranty Exclusions

- Product or parts failure from normal wear and tear
- Damage caused by failure to adhere to the Owner's Manual
- Damage from improper installation, use or repair
- Brake line that operates the handbrake / tilt mechanism on tilting chairs (SB2T and SB3T)
- Improper use of the hand ratchet that is used in adjusting the neck support / adjustment
- Seat cushions and arm rests

Limitations

- The warranty is VOID if the original serial number tag is removed or altered
- The warranty is VOID if the unit sustains damage from unnatural causes
- The warranty is VOID if the unit is used to hold more than the weight limit of 350lbs (160kg)
- The warranty is VOID if the unit has been subjected to neglect, improper maintenance, storage, cleaning or operation as defined in the Owner's Manual
- The warranty is VOID if the unit is modified without Showerbuddy's written consent
- This warranty applies to the original purchaser only, from the date of the purchase, provided a registration card has been submitted to the company within 60 days of purchase.

Your Responsibilities

- If your unit requires warranty service, please contact the dealer from which you purchased the Showerbuddy unit.
- If you do not receive satisfactory dealer service, contact Showerbuddy at the address below.
- Do not return the unit to Showerbuddy without first obtaining a Return Authorization Number from Customer Service.
- A defective unit must be shipped to Showerbuddy within 14 days of issuance of a Return Authorization Number by Customer Service.

Our Responsibilities

- Showerbuddy's sole responsibility is to repair or replace, at our discretion, the covered components of the unit. This is the exclusive remedy for consequential or incidental damages.
- Upon pre-approval, Showerbuddy may provide exchange services for Warranty returns. Under this program, a refurbished Showerbuddy unit may be shipped after the return of the defective unit. The exchange unit may contain used parts that meet Showerbuddy quality standards. This program is provided at the sole discretion of Showerbuddy. The original warranty term will not be extended due to such a unit exchange and a return unit will become the property of Showerbuddy.

For all USA & Canada Warranties

Register online at: www.myshowerbuddy.com/resources/register

Or you can fax or email it to us.

Showerbuddy LLC
12405 Montague Street
Pacoima, CA 91331
U.S.A
Email: info@myshowerbuddy.com
Phone: (877) 7MY-BUDDY (769-2833)
Fax: (888) 312-3645

For all Other Countries Warranties

Register online at: www.showerchairs.co/resources/register-product

Or you can email it to us.

Showerbuddy Global Limited
PO Box 494
Waikanae 5250
New Zealand
Email: info@showerbuddy.co.nz
Phone: (+64) 21 449-806



HEALTHCARE HOME MEDICAL SUPPLY



Call or Visit Our Website



www.healthcaredme.com



DmeHealthcare



HealthcareHomeMedical

For Further Details Please Contact Us.

Address: 2911 Carpenter Rd, Ann Arbor, MI 48108.

Phone: (734) 975-6668, Fax: (734) 975-6678

Email: info@healthcaredme.com